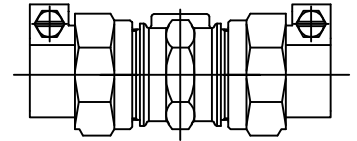


Cambridge Brass  
P.O. Box 249  
140 Orion Place  
Cambridge, Ontario  
Canada N1R 5V1  
Tel: (519) 621-5520  
Fax: (519) 621-8674  
http://www.cambridgebrass.com

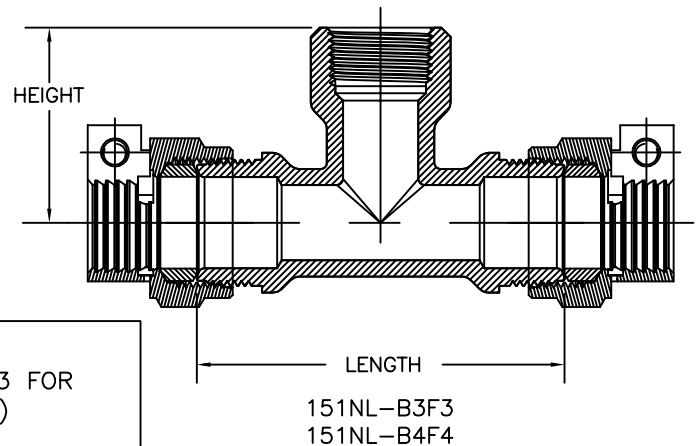
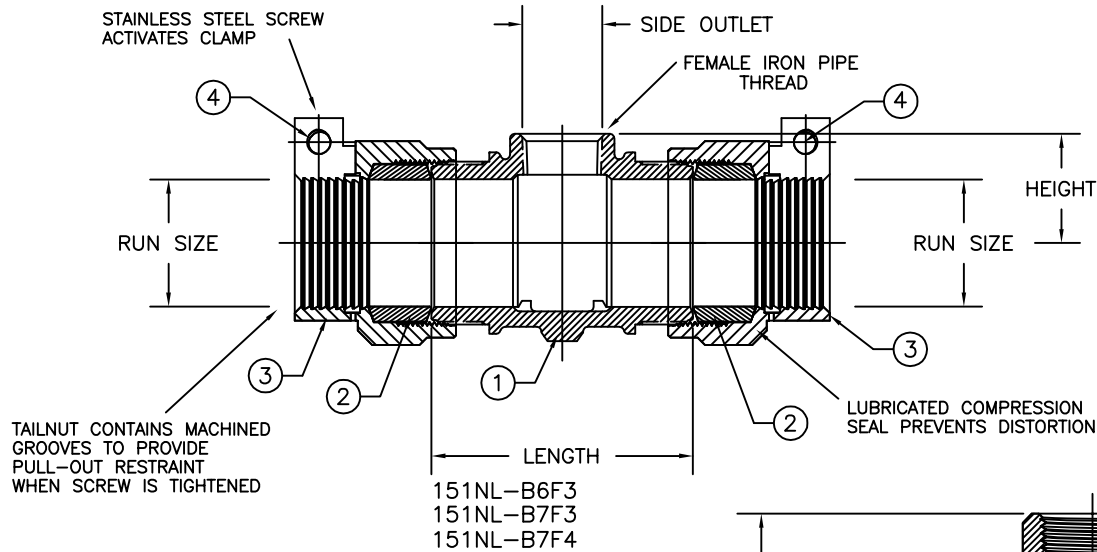


MODEL NO. 151NL

CAMPAK x CAMPAK x FEMALE IRON PIPE

SERVICE TEE

FOR COPPER OR PLASTIC (CTS) TUBING BY THREADED PIPE OUTLET



**PARTS AND MATERIAL:**

1. TEE BODY: CAST BRASS, ALLOY C89833
2. COMPRESSION SEAL: EPDM
3. CAMPAK NUT: CAST BRASS, ALLOY C83600
4. SCREW: STAINLESS STEEL, ALLOY 304

**FEATURES:**

- CONFORMS TO AWWA C800 (ASTM B584 UNS C89833 FOR ALL BRASS PARTS IN CONTACT WITH POTABLE WATER)
- CONFORMS TO ANSI/NSF 61-8
- CONFORMS TO ANSI/NSF 372 (COMPLIANT WITH US Safe Drinking Water Act. PL 111-380)
- 300PSI WORKING PRESSURE

Cambridge Brass considers the information in this submittal form to be correct at the time of publication. Item and option availability, including specifications, are subject to change without notice.

TEE SIZE	CATALOG No.	RUN SIZE CAMPAK	SIDE OUTLET F.I.P.	LENGTH	HEIGHT	APPROX. WT. LBS.
3/4" x 3/4"	151NL-B3F3	3/4"	3/4"	3.66"	1.94"	1.3
1" x 1"	151NL-B4F4	1"	1"	4.20"	2.10"	2.4
1 1/2" x 3/4"	151NL-B6F3	1 1/2"	3/4"	3.40"	1.42"	5.7
2" x 3/4"	151NL-B7F3	2"	3/4"	4.16"	1.60"	8.5
2" x 1"	151NL-B7F4	2"	1"	4.16"	1.60"	6.0

Submitted by: